

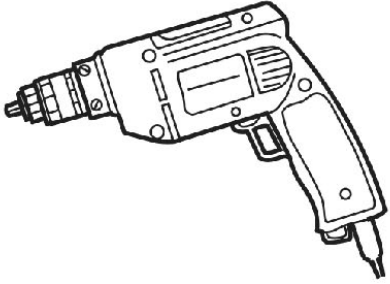
Model # PB 6 \_\_\_ SLIM



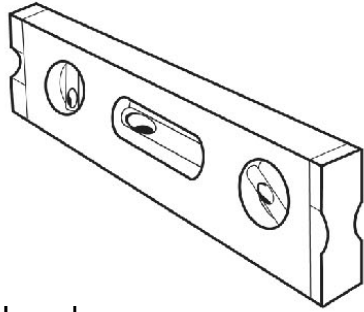
## **SAFETY WARNINGS & EQUIPMENT INSPECTION**

- Owners and installers please note these safety warnings and make use of this checklist on a regular basis.
- Follow installation instructions when erecting equipment.
- Ground surfaces around equipment should be restored as needed. Concrete footings should never be exposed. Surface depth should comply with ASTM and CPSC specifications.
- Check for and repair damage caused by wear or vandalism, a major factor in injury causing situations.
- All protruding bolts should be covered or cut off and finished smooth. Sharp edges on pipes should be capped or removed. Check for bent, broken, or severely worn pipe, and replace.
- All equipment should be free of rust and repainted whenever necessary to deter rusting.
- We provide our customers with layout sheets and installation instructions. Please keep on file the specifications sheet that contains the listing of every part used.
- Never add components not intended for use with this product.
- Regular maintenance is necessary in this and all park and recreational equipment to insure the safety of the user.
- Note: Proper maintenance of equipment requires regular tightening of all bolts, nuts, and setscrews.
- Note: Regular checking of all parts, castings, etc. should be made. If a part is broken or worn, it should be replaced immediately.
- Check to be sure all fittings are tight and that bars and pipes do not move.
- Frog Furnishings products are durable and designed to last a lifetime, like most things that spend the majority of time outdoors, sometimes they need a little cleaning. In most cases, all a Frog product requires is mild dish soap, a bucket of warm water and a clean cloth. Apply the soapy mixture to scrub away the dirt and then rinse with water. If you have some stubborn dirt down in the grooves and divots, mix 1 part bleach to 2 parts water, apply with your clean cloth, scrub with a soft bristle brush if needed and then rinse.

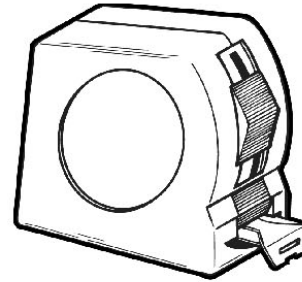
## TOOLS REQUIRED, HARDWARE & SPECS



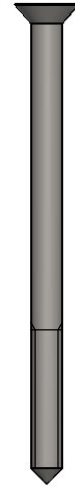
Drill with Phillips Bit



Level



Tape Measure



#8 x 2-1/2" screw

## PRODUCT SPECIFICATIONS

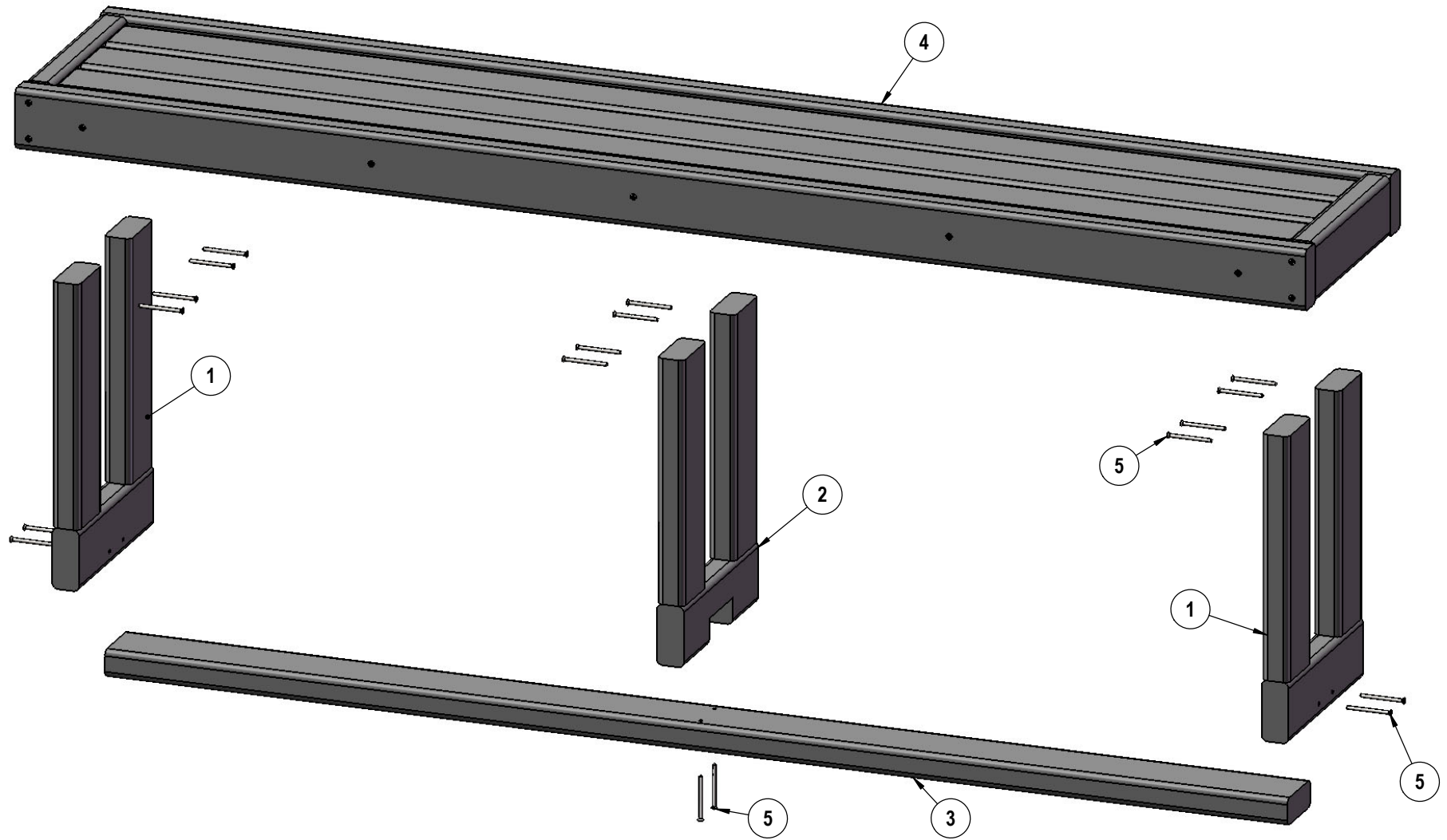
### **Slim 6' Bench**

Seats: 1x4 recycled plastic

Legs: 2x4 recycled plastic

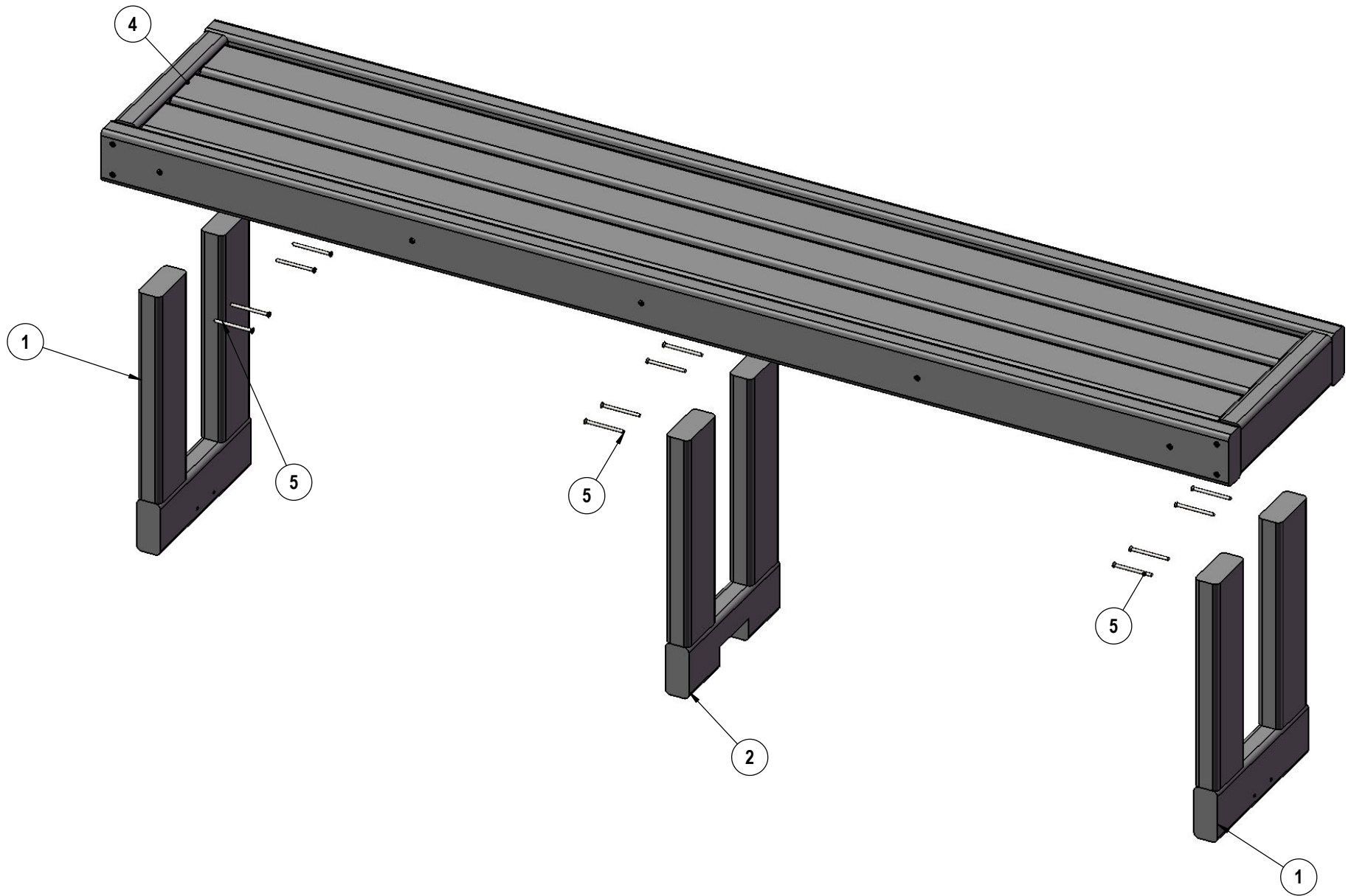
Dimensions: 72" long x 14" wide x 18" tall

# COMPONENTS



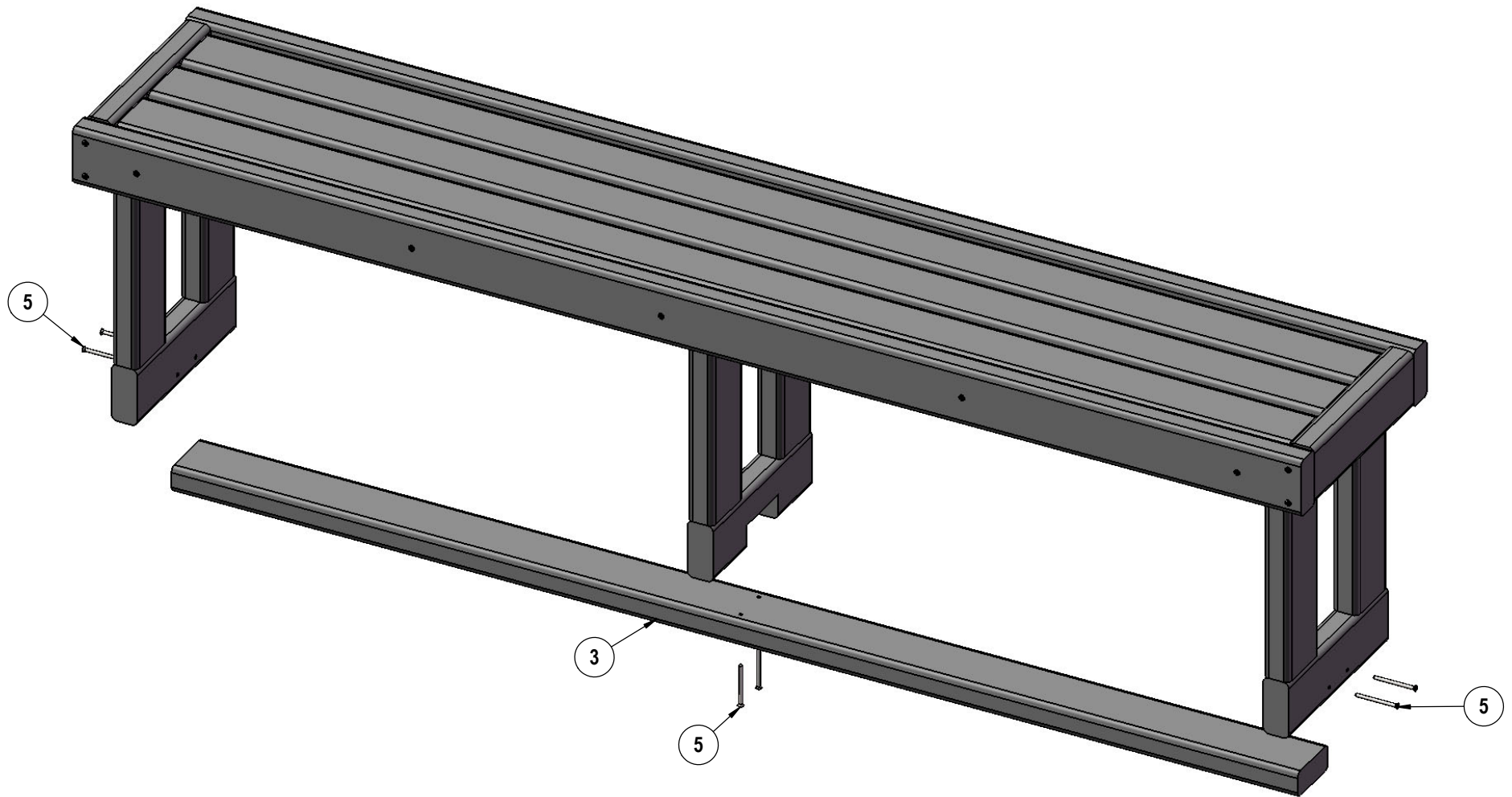
ITEM NO.	PartNo	DESCRIPTION	QTY.
1	-	slim bench leg	2
2	-	slim bench middle leg	1
3	-	weston/slim bench horizontal brace 66"	1
4	-	slim bench 6' seat	1
5	-	#8 x 2-1/2" wood screw	18

# STEP 1



Attach the seat to the legs. Do not overtighten screws.

## STEP 2



Attach the horizontal brace to the bottom of the middle leg and to the inside of the outer legs. Do not overtighten screws.

# OVERALL DIMENSIONS

